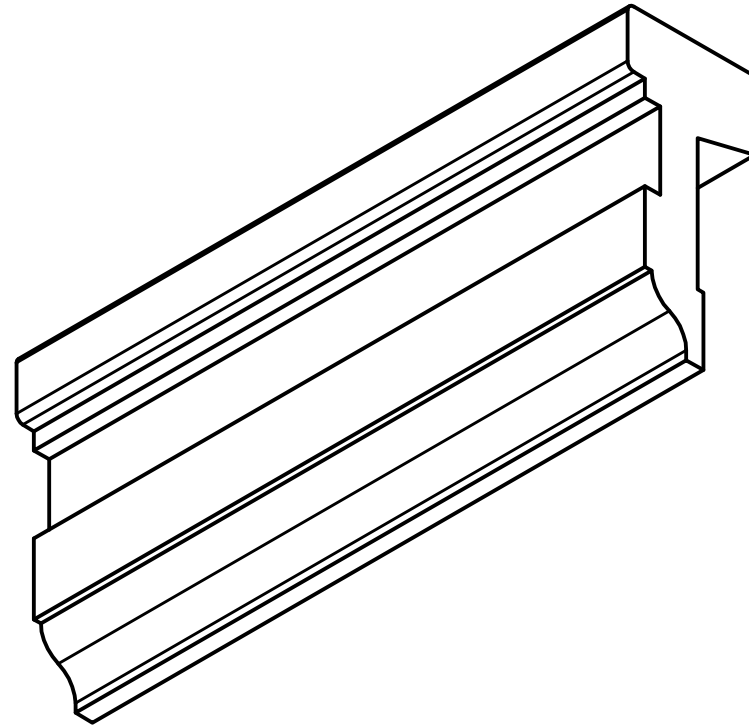


PROFILE
SCALE 1 : 1



The James Wood Company

www.jameswoodco.com
570-326-3662

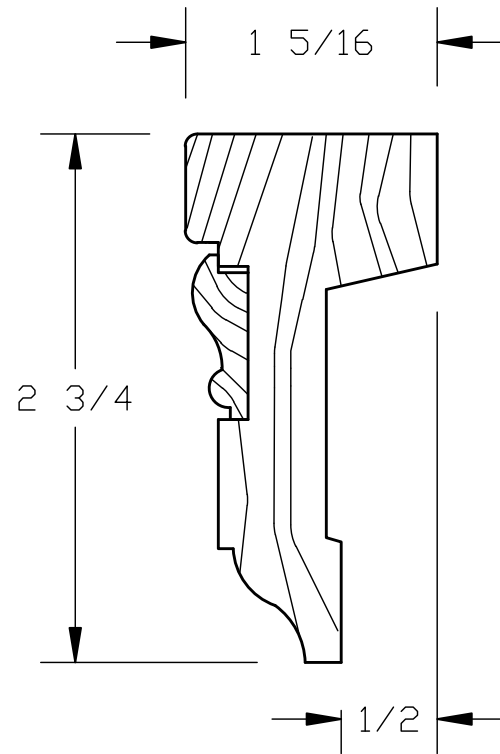
SelecTrim
Casing

Part No.

SR17H

Drawing No.

SR17H



SR17H DOOR CASING
FOR HOLLOW METAL FRAME
SELECTRIM CORP. 1-800-326-9734