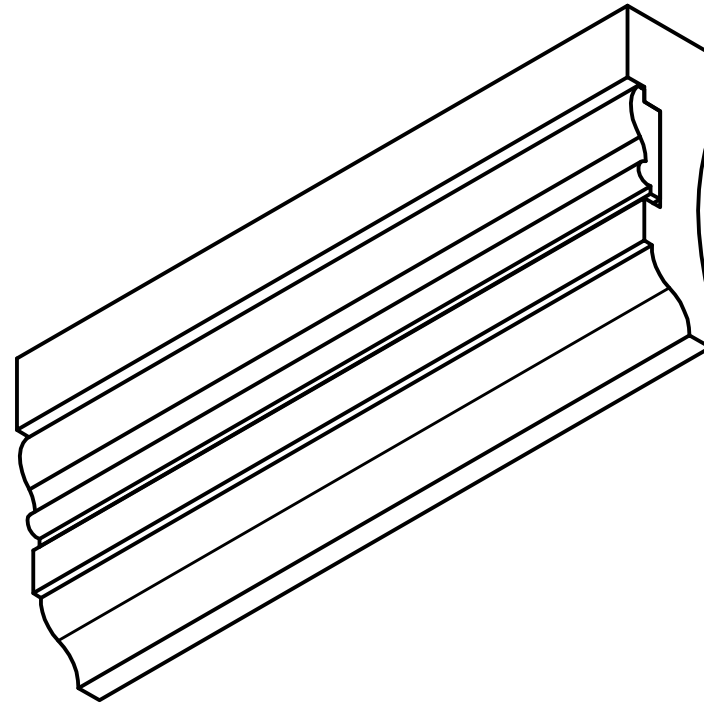


PROFILE  
SCALE 1 : 1



The James Wood Company

www.jameswoodco.com  
570-326-3662

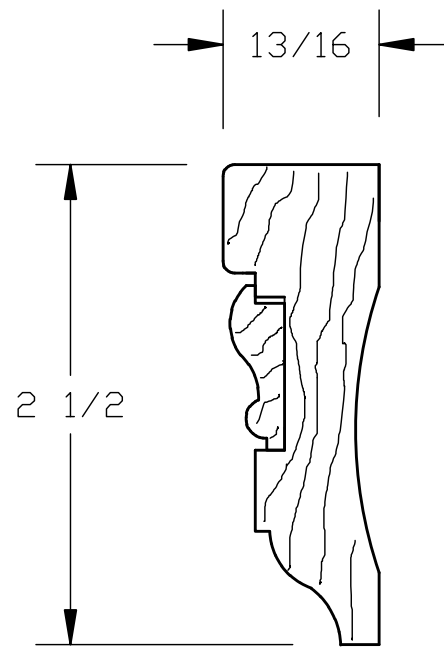
SelecTrim  
Chair Rail

Part No.

SR17F

Drawing No.

SR17F



SR-17F CASING/CHAIR RAIL  
SELECTRIM CORP. 1-800-326-9734