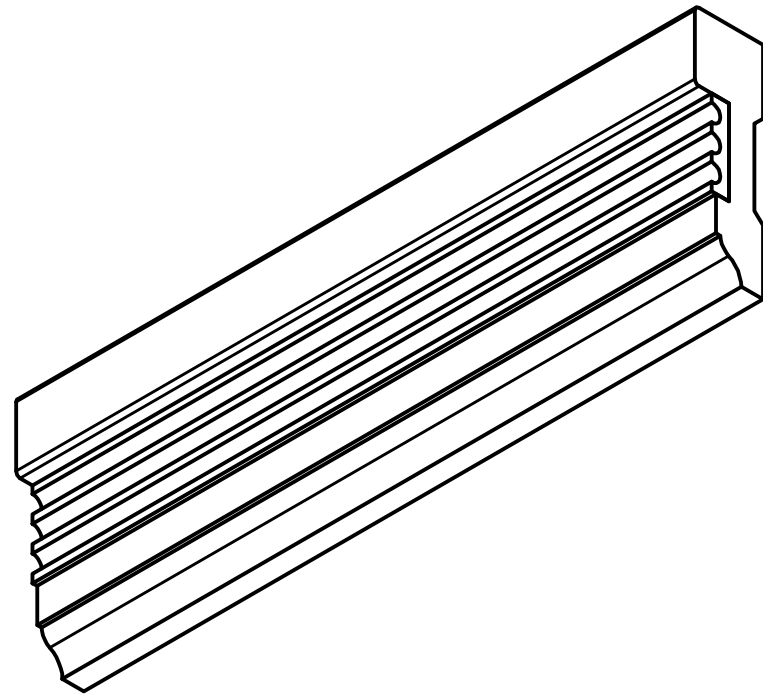


PROFILE  
SCALE 1 : 1



The James Wood Company

www.jameswoodco.com  
570-326-3662

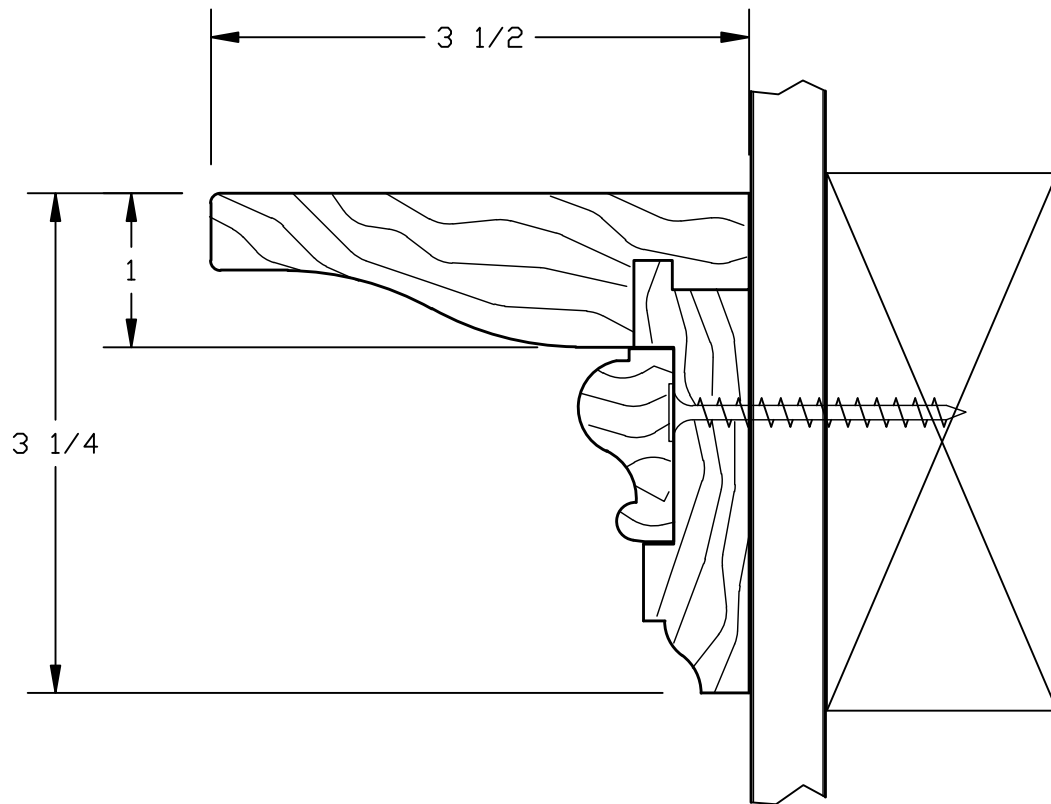
SelecTrim  
Chair Rail

Part No.

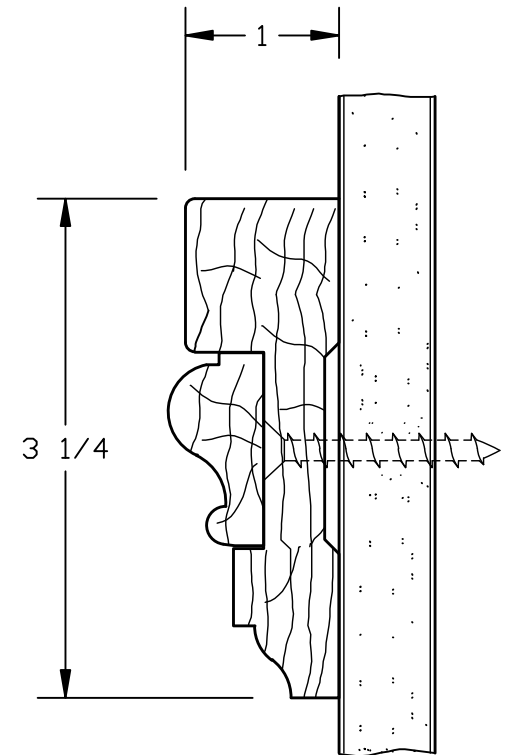
SAL31

Drawing No.

SAL31



SAL-21 LEAN RAIL  
WITH STANDARD INSERT



SAL-31 CASING/CHAIR RAIL  
WITH STANDARD INSERT

SELECTRIM CORP. 1-800-326-9734  
www.selectrim.com