

PROFILE
SCALE 1 : 1



The James Wood Company

www.jameswoodco.com
570-326-3662

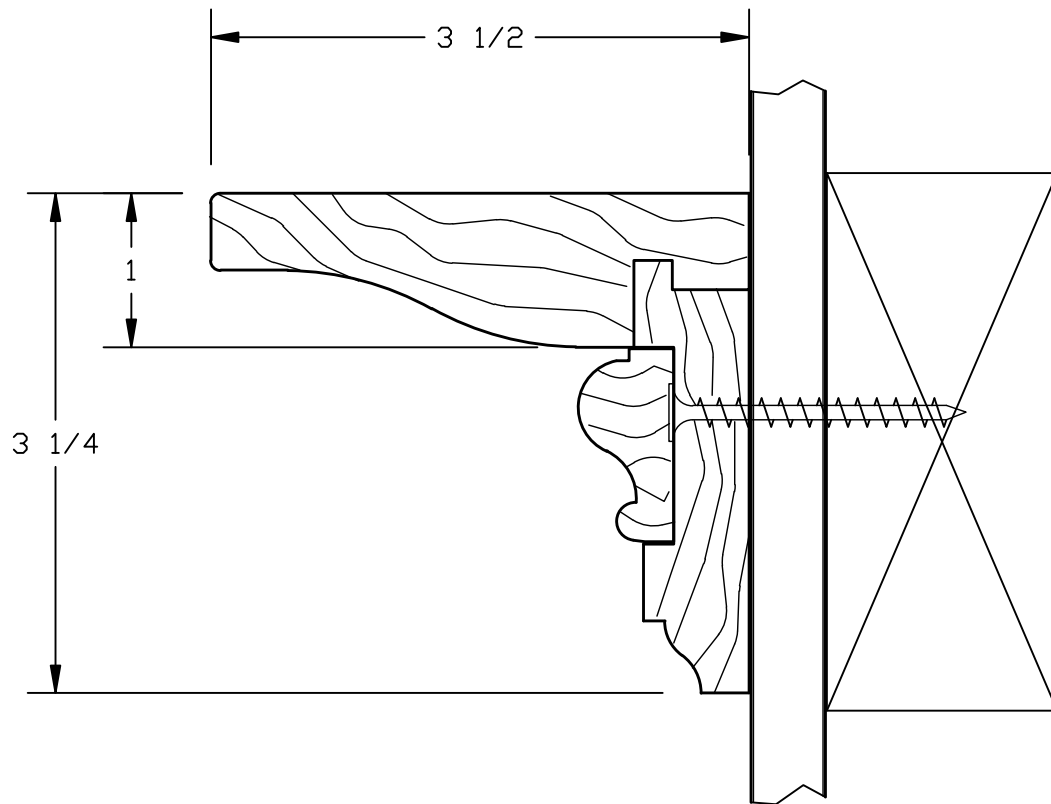
SelecTrim
Lean Rail

Part No.

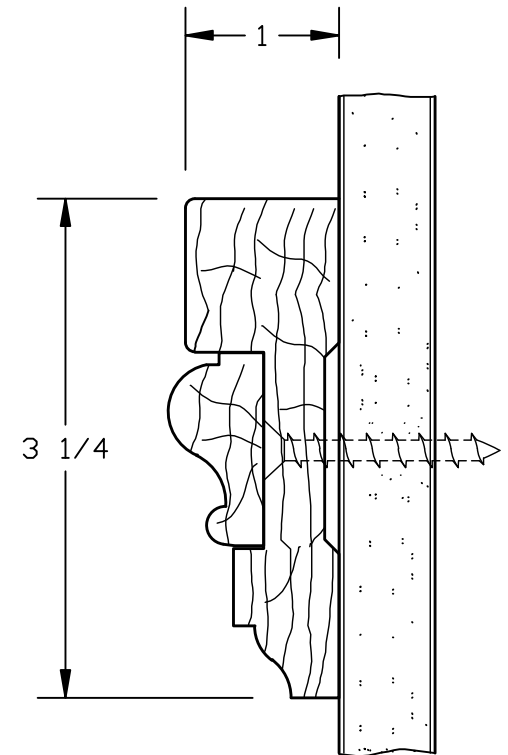
SAL21

Drawing No.

SAL21



SAL-21 LEAN RAIL
WITH STANDARD INSERT



SAL-31 CASING/CHAIR RAIL
WITH STANDARD INSERT

SELECTRIM CORP. 1-800-326-9734
www.selectrim.com